



INFRAGLAS

IHG12/15/22 IP65

MONTAGE- UND GEBRAUCHSANWEISUNG

INSTRUCTIONS FOR USE

MODE D'EMPLOI

ISTRUZIONE PER L'USO

INSTRUCCIONES DE MONTAJE Y USO

MONTAGE- OG BRUGSANVISNING

MONTAGE- OCH BRUKSANVISNING

MONTERINGS- OG BRUKSANVISNING

ASENNUS- JA KÄYTTÖOHJE



Irrtum und technische Änderungen vorbehalten · Subject to errors and technical changes · Sous reserve d'erreurs et de modifications techniques · Excepto erro ou alteracao tecnica · Salvo error o modificacion tecnica · Fejl og tekniske ændringer forbeholdt · Fel och tekniska ändringar reserverade · Feil og tekniske endringer reservert · Virheet ja tekniset muutokset on varattu!

Main office: Frico AB, Industrivägen 41, SE-433 61 Sävedalen Sweden

Tel: +46 31 336 86 00 - mailbox@frico.se - www.frico.net

For latest updated information and information about your local contact: www.frico.net

ASSEMBLY AND OPERATING INSTRUCTIONS

Dear Customer,
please read the following information carefully before using the appliance for the first time for your own safety and to ensure correct use.

DESIGNATED USE:

Outdoor areas.

SAFETY INFORMATION:

- During use of this appliance, it is necessary to observe some precautions. Improper operation with disregard of precautions may result in infliction of harm to health of the user and other people, as well as in infliction of damage to their property.
- Use this appliance only as described in this manual. Any other use is not recommended by the manufacturer and **may cause fire, electric shock or injury.**
- Do not use appliance or any part of the appliance out of the intended use to avoid risk.
- The manufacturer is not responsible for any damage that could happen from improper use.
- The manufacturer emphasizes that this appliance should be used in a responsible manner and that all procedures, warnings, and safety instructions contained in this booklet be followed strictly.
- Use only the voltage specified on the rating plate of this appliance.
- Remove transit protection before use.
- Keep packaging materials out of reach of children.
- This appliance must be handled with care and avoid vibration or hitting.
- Do not apply any pressure on the glass surface.
- In particular, do not use the appliance in dusty areas or where explosives are stored.
- Do not use the appliance in a building site, green house, barn or in animal stables.
- Do not use this appliance in the place of animal propagating and rising.
- Do not use the appliance as a sauna heater.
- This appliance is NOT intended to be installed in wardrobes.
- Do not use this appliance on a wet surface, or where it can fall or be pushed into water.
- Do not reach for an appliance that has fallen into water. Switch off at supply and unplug immediately.
- Install and operate this appliance in **strictly horizontal position** on the ceiling or ceiling structural surface. The thermal resistance of the ceiling coating and ceiling material should be at least 80 °C.
- **WARNING: Check for damage to the appliance regularly. The heater must not be used if the black radiant panel or any other part of the heater is damaged.**
- Only connect the appliance to a properly installed socket-outlet with earthing contact. **Possibly a slow-blow C-fuse is necessary** if you experience problems by switching on to overloaded fuses.
- Only connect the appliance to a.c. mains as specified on the rating plate.
- Never touch live parts! **Danger to life!**

• Never operate the appliance with wet hands! **Danger to life!**

• Do not store or use any flammable materials or sprays in the vicinity of the appliance when the appliance is in use.

Fire hazard!

• Do not use the appliance in flammable atmospheres (e.g. in the vicinity of combustible gases or spray cans)!

Explosion and fire hazard!

• **Important!** Do not insert any foreign objects into the appliance openings! **Risk of injury (electric shock)** and damage to the appliance!

• **Attention!** Do not look longer time into the light!

• **Attention! The unit complete becomes very hot when the appliance is in use!** Place the appliance so that it cannot be touched by accident. **Risk of burns!**

• No objects whatsoever such as garlands and streamers should be fastened to the radiant heater. **Risk of fire!**

• Never attempt to adjust the pivoting angle when the device is in operation! **Risk of burns!**

Allow the appliance to cool down before adjusting the bracket

• The appliance is not intended for use by young children or infirm persons without supervision! Young children should be supervised to ensure that they do not play with the appliance!

• The socket-outlet must be accessible at all times to enable the mains plug to be disconnected as quickly as possible!

• These instructions for use belong to the appliance and must be kept in a safe place. When changing owners, these instructions must be surrendered to the new owner!

• The appliance must be allowed to cool down before being carried and stored!

LOCATION:

• If the radiant heater is equipped with or without a frame for **ceiling mounting** it must be secured 2.1-2.3 meter above the ground. The installation height for the 1.5kW version is at least 1.8 m above the ground.

• If the radiant heater is equipped with or without a frame for **wall mounting** it must be secured 2.1-2.3 meter above the ground. The installation height for the 1.5kW version is at least 1.8 m above the ground.

• The device may only be commissioned if it has been **mounted level.**

• The distance between the heater and combustible objects and other buildings must be **at least 100 cm.**

• Since the device emits radiant heat, make sure that no items, such as furniture, are located between the device and the persons or objects to be warmed!

POWER CORD:

• The use of an extension cord with this appliance is not recommended.

• The power cord must not come into contact with heated parts of the device!

• Never remove the plug from the socket by pulling on the cord! Never move the device by pulling on the cord or carry the device by the cord!

- Do not wind the cord around the device! Do not operate the device with the cord wound up!
- Do not clamp the cord, or pull it over sharp edges!
- Do not run cord under carpeting, throw rugs or runners etc. Arrange cord away from areas where it is likely to be tripped over.
- Never use the appliance if the appliance or cord is damaged. **Risk of injury!**

INSTALLATION:

- The device may only be installed and connected by qualified professionals. The installation must be isolated prior to commencing any electrical work!

Risk of fire!

- Sufficient air exchange for heat dissipation must be ensured in the cavity above the radiant heater.
- Only commission the device after it has been fully installed.
- This heater comes with a pair of stainless steel adjustable angle mounting brackets. The adjustable angle enables the heater to be installed on vertical, horizontal and inclined surfaces.

WARNING:

Slight crackles may be heard during the heating or cooling period. This is normal operational noise.

NOTE:

- ✓ After switching on the appliance for the first time and following extended periods on non-use, the appliance may expel a slight odor for a short time. It will not affect the use of the heater.
- ✓ To exclude unpleasant burnt odor, it is recommended to keep the heater clean preventing accumulation of dust on it
- ✓ The distance between the heater and the remote control should be less than 3 metre, and the remote control must be directly point to the receiver on the front panel during the operation.

CLEANING:

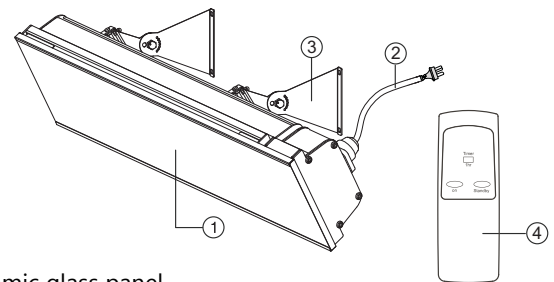
- First, disconnect the equipment from the power supply system!
- After the appliance has cooled down, wipe off dust with a damp soft rag in cold condition
- During operation, it is necessary to periodically (once a year) check the electric cable contacts and terminal connectors for good tightening.
- Do not use any abrasive or caustic cleaning agents!
- Never immerse the appliance in water! **Danger to life!**

AFTER-SALES SERVICE:

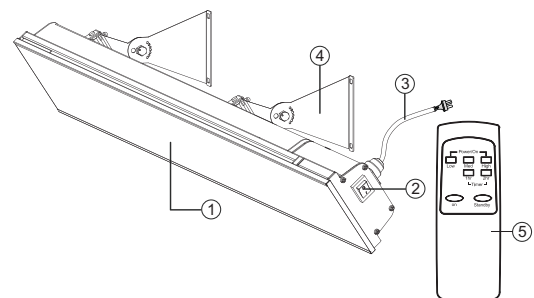
- All repairs must be referred to authorised personnel! Therefore, you should contact your specialized dealer or the customer service.
- **Important!** Any tampering with the appliance will invalidate the warranty.
- Repairs carried out improperly and by unqualified persons may have serious consequences for the user!

TECHNICAL DATA:

- Connection/fuse: 230-240V~50Hz with 10 Amp C (= slow-blowing fuse) (IHGB/W12, IHGB/W15), with 16 Amp C (= slow-blowing fuse) (IHGB/W22)
- Output: 1200 Watt, 1500 Watt and 2200 Watt
- Infrared tube: 1,2 kW= IHGB/W12, 1,5 kW= IHGB/W15, 2,2 kW= IHGB/W22,
- Guaranteed service life: up to 5000 hours with average use
- Type of protection: IP65
- Weight IHGB/W12SR model: 3,6 kg
- Weight IHGB/W15S/R models: 5,1/5,2 kg
- Weight IHGB/W22S/R models: 5,1/5,2 kg
- Casing: Corrosion-resistance anodized aluminium
- Front: SCHOTT NEXTREMA® ceramic glass
- Cable: 1,80m 3-wire 1,5 mm², Schuko plug

OPERATING INSTRUCTION FOR IHGB/W12SR MODELS:

1. Ceramic glass panel
2. Power cords and plug
3. Brackets for wall or ceiling mounting
4. Remote control ON/OFF

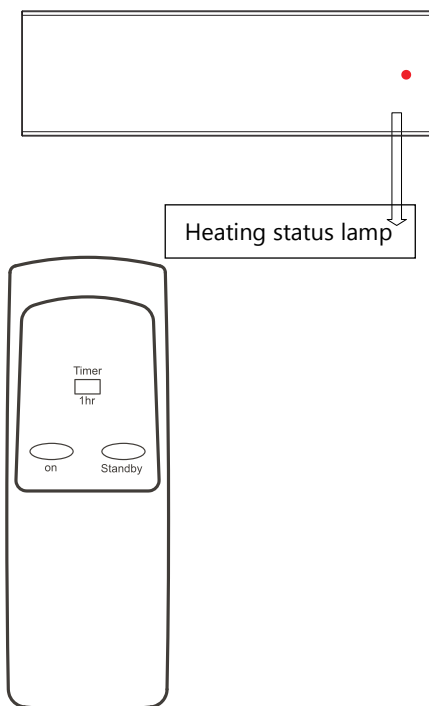
OPERATING INSTRUCTION FOR IHGB/W15/22S/R MODELS:

1. Ceramic glass panel
2. ON/OFF main power switch
3. Power cords and plug
4. Brackets for wall or ceiling mounting
5. Remote control (IHGB/W15/22SR)

	IHGB12SR, IHGW12SR	IHGB15S/R IHGW15S/R	IHGB22S/R, IHGW22S/R
Voltage	230-240V~50Hz	230-240V~50Hz	230-240V~50Hz
Power	1200 W	1500 W	2200 W
Installation	Wall, Ceiling, flush mounted	Wall, Ceiling, flush mounted	Wall mounting only
Wall Mounting Height	1,8 – 2,5 m	1,8 – 2,5 m	1,8 – 2,5 m
Ceiling Mounting Height	2 – 3 m	2 – 3 m	-
Electric Protection Class	I	I	I
Water Splash Proof Rate	IP65	IP65	IP65
Length of Cable	1,8 m	1,8 m	1,8 m
Dimensions L*W*H	585 x 170 x 80 mm without bracket	900 x 170 x 80 mm without bracket	900 x 170 x 80 mm without bracket

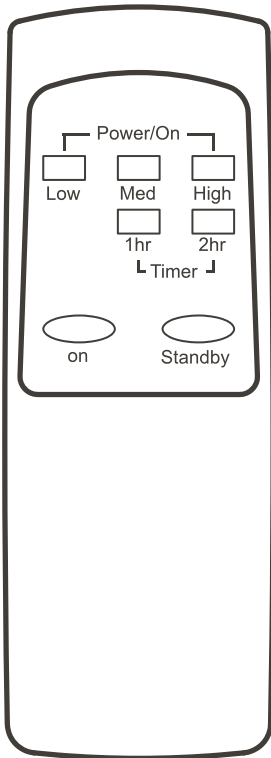
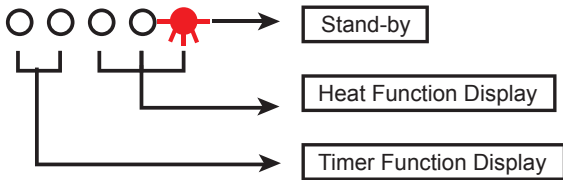
CAUTION: There is a built in safety feature that will automatically trigger the heater to go into standby mode after eight hours of continuous operation. When this happens, the stand-by lamp will be flashing.

INSTRUCTION FOR IHGB/W12SR



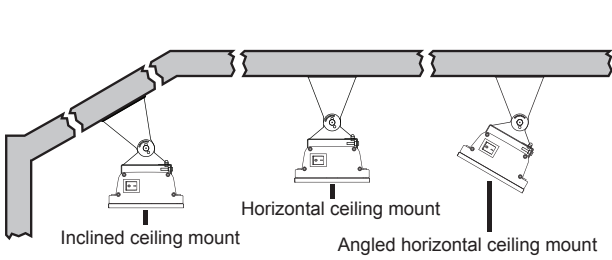
Power on the unit	Standby mode	Set the time function
Plug in the device, the device will sound 1 beep, the device is in standby mode, the heating status lamp is flashing.	Press the button "standby" on the remote control, the device will sound 1 beep and revert to Standby mode, the Stand-by lamp is flashing.	Press the Timer control button "1hr", to activate 1-hour delay-off timer function. The heating status lamp will turn to green.
Press the button "ON" on the remote control, the device starts to heat, and the heating status lamp will turn in red.	Power off the unit: Unplug the device from the socket or press the switch or the circuit break to power off the device	The device will be switched off after 1 hour, and revert to standby mode.

**INSTRUCTION FOR ALL OTHER DIMMABLE MODELS
1500/2200:**



Power on the unit	Standby mode	Set the time function
<p>Plug in the device, and then press the switch to the position I. Point the remote control directly to the receiver, press the button "ON" on the remote control, the device will sound 1 beep and starts to heat in high power mode (100% the rated power).</p>	<p>Press the button "standby" on the remote control, the device will sound 1 beep and revert to Standby mode, the Stand-by lamp is flashing.</p>	<p>Press either, or both of the Timer control buttons (picture 11), to activate the delay-off timer function. (1, 2 or 3-hour options). <u>1 Hour Timer:</u> Point the remote control directly to the receiver and press the button of "1hr". The 1st timer status lamp will turn to green, the device will be switched off after 1 hour, and revert to standby mode.</p>
<p>All three heating status lamps will turn in red. The unit is in heating mode now.</p>	<p>Power off the unit: Press the switch to the position O</p>	<p><u>2 Hour Timer:</u> Point the remote control directly to the receiver and press the button of "2hr", the 2nd lamp of timer will turn to green color, the device will switch off after 2 hours, and the device will be in standby mode, and revert to Standby. <u>3 Hour Timer:</u> Point the remote control directly to the receiver and press the button of "1hr" and "2hr", both timer status lamps will turn to green color, the device will switch off after 3 hours, and revert to Standby mode.</p>

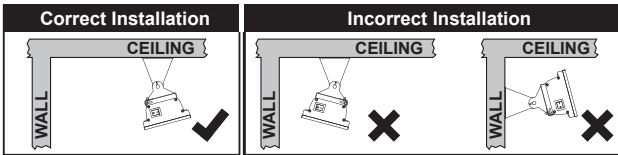
INSTALLATION DETAILS:



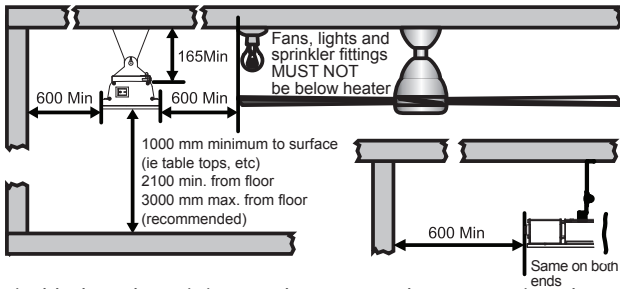
• The ideal mounting position is directly above the area to be heated with a longitudinal orientation and facing vertically downwards.

WARNING:

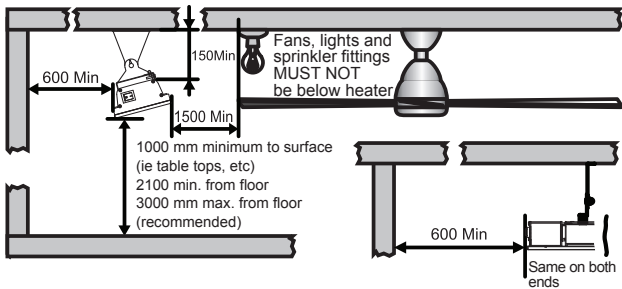
The heater must never be installed in the upwards or inwards facing position, the heating surface must always be positioned to direct the heat in a downwards or outwards direction.



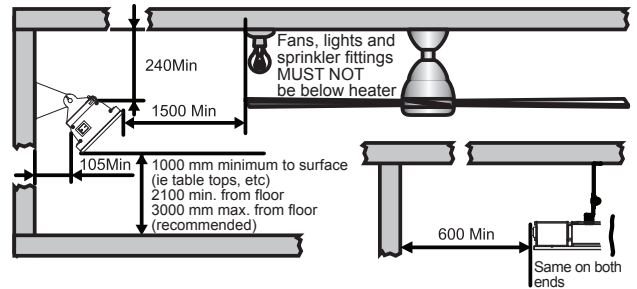
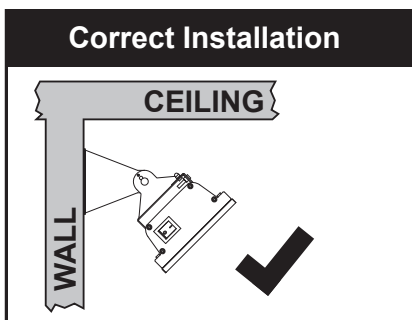
• Find below the minimum clearances when mounting the heater parallel with a ceiling. (Unit in mm)



• Find below the minimum clearances when mounting the heater at an angle to the ceiling. (Unit in mm)



• Find below the right wall mounting position. (Unit in mm)

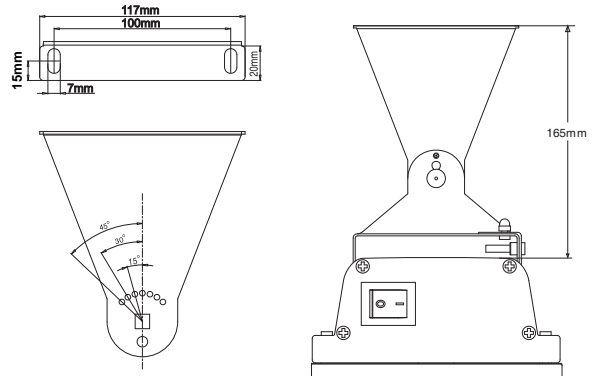


WARNING:

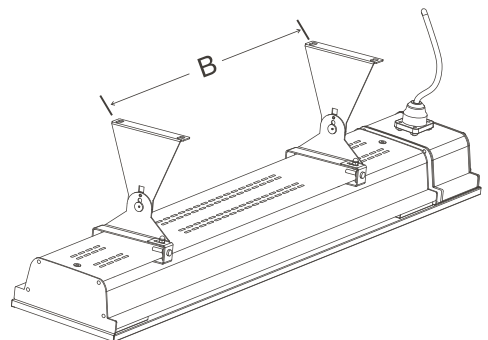
Mounting of the infrared heater and its connection to the electric mains should be carried out only by qualified specialists according to the Electrical Installation Regulations and Power System Safety Standards.

INSTALLATION PROCESS:

1. Open the factory package and carefully take the heater out.
2. Take out the packing paper sheet from the end of heater.
3. Take out one pair of mounting Brackets. These adjustable brackets allow direct ceiling or wall mount, and come with preset angle options of parallel, 15°, 30°, 45° and height 165mm.

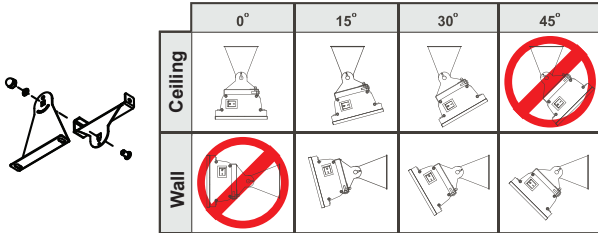


4. The correct installation process, as per the diagram above, select the heater location on the ceiling by locating the stud or structural beams to ensure secure fastening of the heater, whilst observing the minimum clearances from the floor and other objections.
5. Install two brackets on the ceiling or wall with the following minimum recommended bracket distance "B".
6. Set the adjustable angle mounting brackets to desired angle and fasten brackets by spanner.

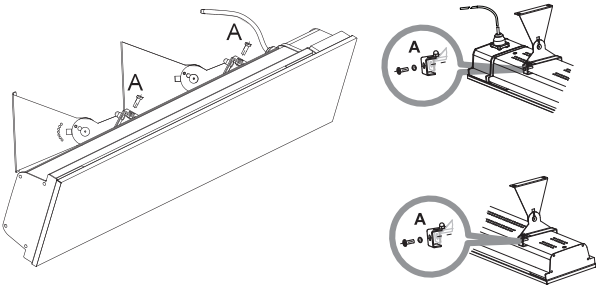


Model No	"B" (mm) MINIMUM DISTANCE
1200W	300±20
1500W	500 ±50
2200W	500 ±50

- **For ceiling** mounted installation, the available mount angles are restricted to 0°, 15° and 30° only.
- **For wall** mounted installation, the available mount angles are restricted to 15°, 30° and 45° only.



7. Hang the heater on the brackets and firmly secure in place with the mounting bracket locking plates by tightening bolts.



NOTE:

- ✓ Depending on material and design of ceiling structural elements, the heater must be secured with the correct fasteners. The weight of the heater is up to 5.3Kg, the installation location must be able to hold 5 times the weight of the heater.

CONNECTION TO ELECTRIC MAINS:

- The heater is designed for connection to the single-phase 230-240V~ 50Hz electric mains equipped with an earth wire.
- Before connection, make sure that specifications of the electric mains at the connection point meet the single-phase 230-240V~ 50Hz voltage.
- Regarding the model IHGB/W12SR

In case of direct connection to the supply line, a bipolar switch or a bipolar circuit breaker with contact opening distance of at least 3mm must be fitted upstream from the supply line. Contact an authorized service technician if you are unsure if you have a switch or a circuit breaker installed on the premises.

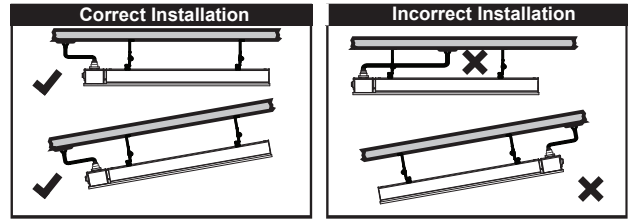
• The electric mains should be equipped with an automatic circuit breaker with C curve type (slow blow fuse) and with rated current not less than 10A (model 1500W) or 16A (model 2200W). Contact an authorized service technician if you are unsure if you have a circuit breaker installed on the premises

- The electric mains should be equipped with an automatic

circuit breaker with rated current not less than 16A..

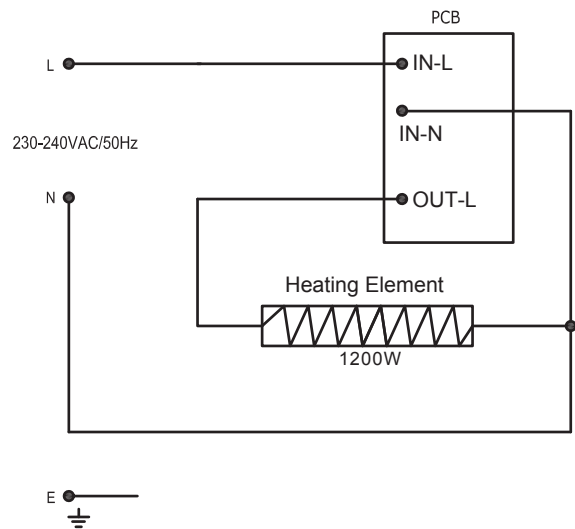
• The heater must not be located immediately below a power point. Power point should not be located at the back of the heater. The power point needs to be located outside the physical footprint of the heater to minimize heat build-up behind the heater.

• If the heater is to be mounted on an incline (eg. Vaulted ceiling), ensure the power point located at that lowest point of the heater.

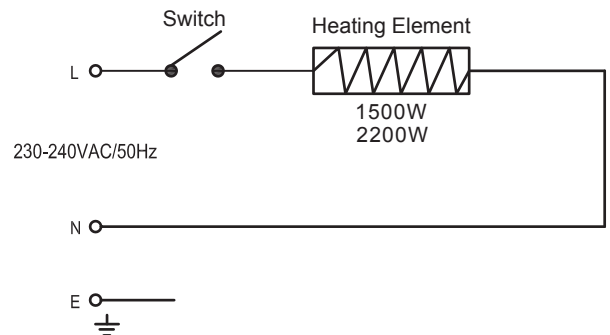


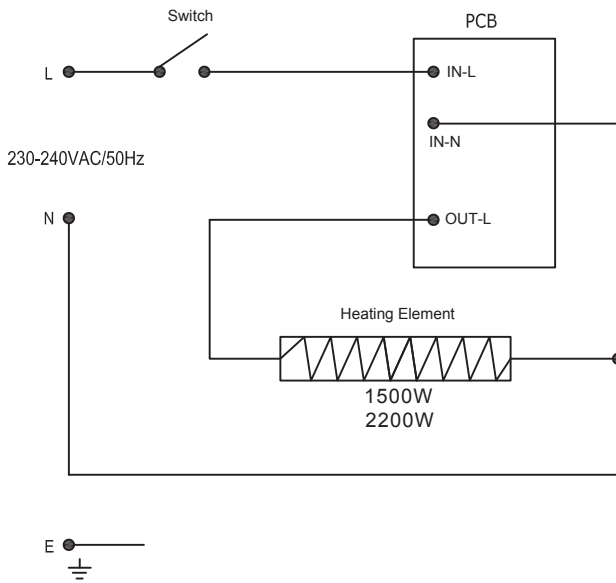
WIRING SCHEMATIC DIAGRAM:

IHGB/W12SR:



IHGB/W15S, IHGB/W22S:



IHGB/W15SR, IHGB/W22SR:**CORRECT DISPOSAL OF THIS PRODUCT:**

This marking indicates that this product should not be disposed with other household wastes throughout the EU. To prevent possible harm to the environment or human health from uncontrolled waste disposal, recycle it responsibly to promote the sustainable reuse of material resources. To return your used device, please use the return and collection systems or contact the retailer where the product was purchased. They can take this product for environmental safe recycling.

**TROUBLESHOOTING**

- Possible malfunctions are given in Table below.

SYMPTOM	CAUSE
Will not heat / No operation indicator	Check that power is connected and switched on.
Heater smells when first used.	This is caused by oil or dust left over from the manufacturing process and will stop after a short time.
Faint smell for short periods after turning on the heater.	This is normal and should stop after a short time.
Heater smells when turned on after periods of no use.	Build-up of debris and dust on the heater, Switch the heater off and allow it to cool down and then clean.
Clinking noises when heater is turned on and after being turned off.	This is expansion and contraction noises of the heaters metal components and is normal.
Poor heating performance.	Exposure to extreme ambient conditions such as high winds / excessively cold temperatures can lower the heating performance of an outdoor installation. Unit is not installed in correct position, possibly too high or heater is too small for recommended area.
There is a burning smell and or strange sounds (other than normal expansion and contraction noises) coming from the unit.	Turn off the heater, and <u>contact the authorized service or seller.</u>
When associated circuit breaker (safety, ground) is thrown or a fuse is blown.	Turn off the heater and <u>contact the authorized service or seller.</u>
Poor heating performance.	Incorrectly sized installation. <u>Contact the authorized service or seller.</u>
	Faulty heater element turns off the heater. <u>Contact the authorized service or seller.</u>
Will not heat / No operation indicator.	Check that power is connected and switched on, if still faulty, turn off the heater. <u>Contact the authorized service or seller.</u>