

Spare parts list

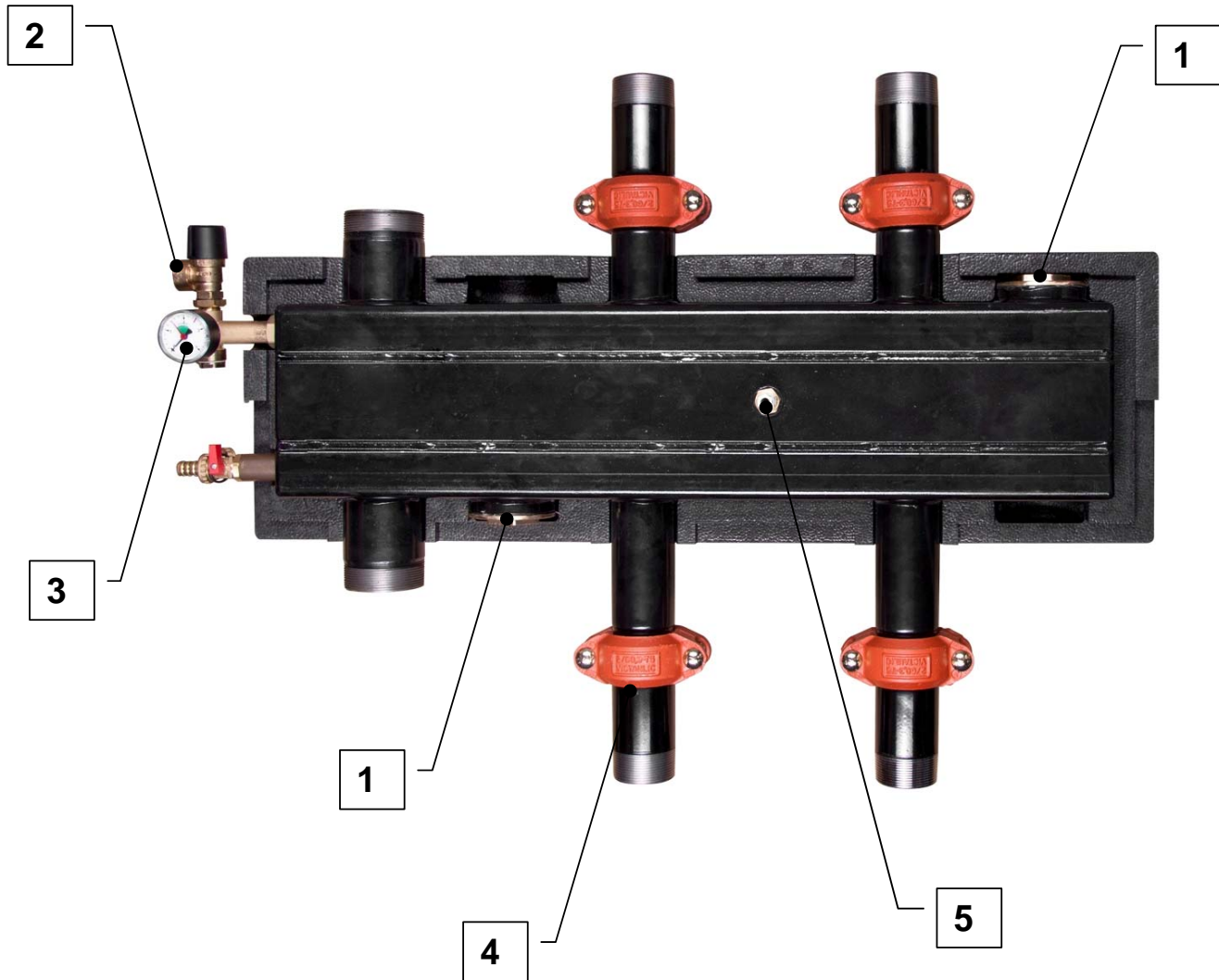
Brand: Dimplex

Type: DDV 50

Part number: 364240

Position	Description	Part number	Serv. ind.
1	Plug-in backflow protection device	4521154197	
2	Safety valve 1/2" x 3/4" 3 bar	4521154198	
3	Pressure gauge	4521584124E	
4	Victaulic adapter 2" (2)	4521154199	
5	Immersion sleeve 75 mm 1/2"	4521154205E	

Note: The filter drier must always be exchanged when soldering work is carried out in the refrigerant circuit.



Images are intended for identifying the item in the spare parts list and may differ from the actual technical design.