

Spare parts list

Brand: Dimplex

Type: SI 22TU

Part number: 362340

Position	Description	Part number	Serv. ind.
1	Compressor	4522354101	
2	Expansion valve	4522254301E	
2.1	Upper part of expansion valve	4521584142E	
3	Filter dryer	4522324113E	
4	Inspection window	4522304126E	
5	Plate heat exchanger	4522324160	
6	Plate heat exchanger	4522324161	
7	High-pressure switch	4521584120E	
8	Low-pressure switch	4522314103E	
9	Economiser	4522354105	
10	Solenoid valve	4518104203E	
11	Coil for solenoid valve	4521594108E	
12	Pressure sensor, 0 - 34.5 bar	4521634116E	
12/1	Cable for pressure sensor	4522344271	
13	Pressure sensor, 0 - 17.3 bar	4521634115E	
13/1	Cable for pressure sensor	4522344271	
14	Cap nut	4521224113E	
15	Sealing cap	4525014209E	
16	Schrader valve insert	4525014207E	
17	Rubber cushion	4522344118	
18	Clip-on nut	4522354103	
19	Insulation for plate heat exchanger	4522252071E	
20	Insulation for plate heat exchanger	4522352009	
21	Transformer	4521154147E	
22	pCO controller, large	4522328507E*	1
22	> controller Econ5Plus	4522328511E	2
23	Connector set	4522302845E	1
23	> Connector set	4522302854	2
24	Terminal block, fitted	4521152811	
25	Fuse	4518034158E	
26	Terminal strip	4521154162	
27	Strain relief	4501194101E	
28	Contactator	4522254304E	1
28	> Contactator	4518094301	2
29	Auxiliary switch	4522254343E	1
30	AC contactor	4518034653E	1
30	> Contactator	4518094273	2
31	Time relay	4522254269E	
32	Protective motor switch	4518034589E	1
32	> Protective motor switch	4518094355	2
33	Auxiliary switch	4541024122E	1
33	> Auxiliary switch	4518094390	2

Position	Description	Part number	Serv. ind.
34	Soft starter	4522254350E	
35	Through terminal	4522354106	
36	Protective conductor terminal	4522354108	
37	Metal film resistor	4522344166E	
38	Plug complete	4518024182E	
39	Seal for plug casing	4525044105E	
40	Sensor	4522314115E	
41	Control panel with GDD keypad	4522302834E	
42	Connecting cable remote control 1.5m	4522302832E	
43	Dirt trap	4522254148E	
43.1	Filter for dirt trap 1 1/2"	4522254352	
44	Temperature sensor with casing	4521144180E	
46	Metal plug for round hole	4522354140*	
49	Front panelling	4522352301	
50	Cover panelling	4522322303E	
51	Left side panel white	4522353504	
52	Right side panel white	4522353505	
53	Front cover white	4522353506	
54	Cover white	4522353507	
59	rubber damping	4522354109	
60	Quick connector	4522354102	
61	Retaining ring	4522354104	

* The article number corresponds to an alternative component, the original component is no longer available.

** not visible in the picture documentation

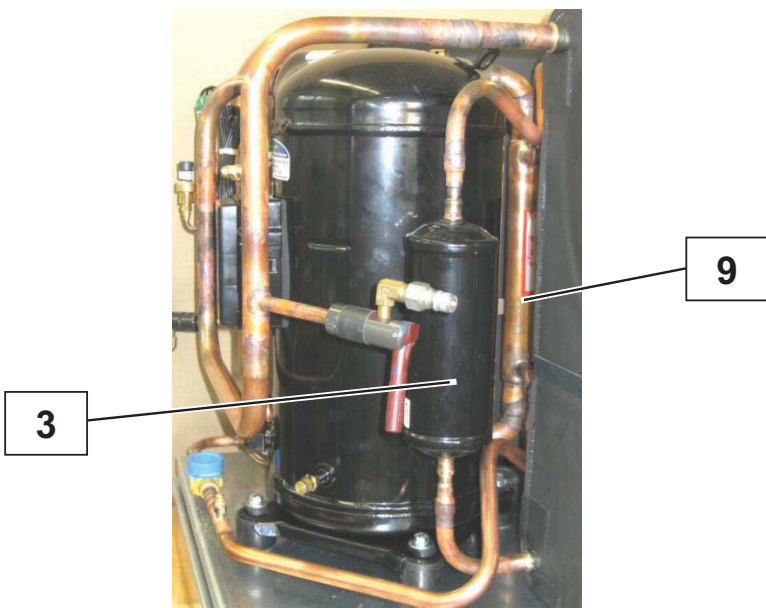
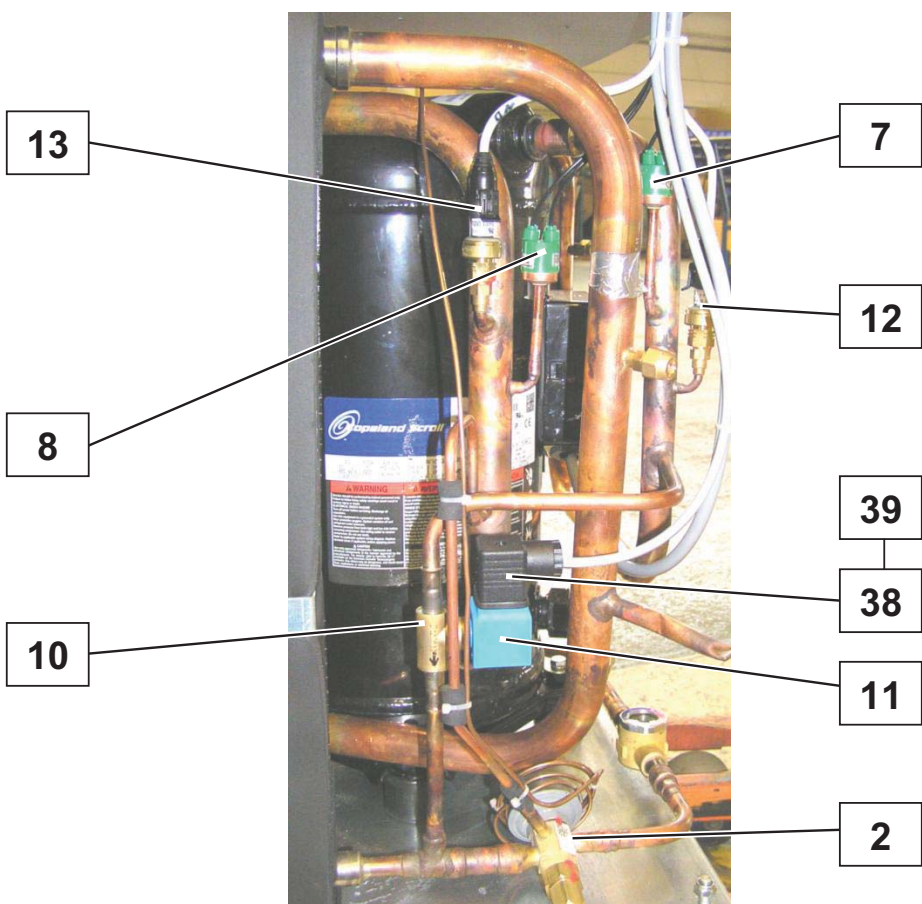
X.1: Component of a spare part

X/1: Accessory for a spare part

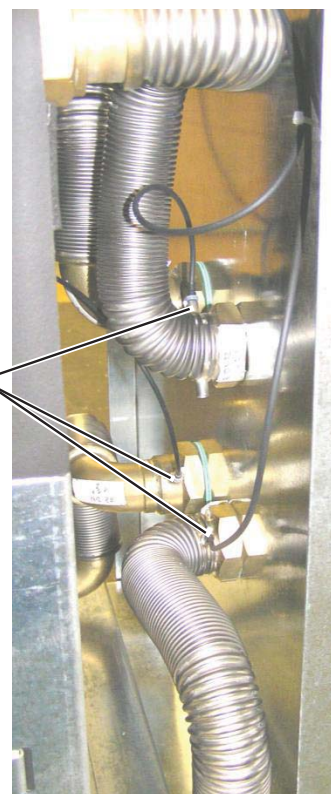
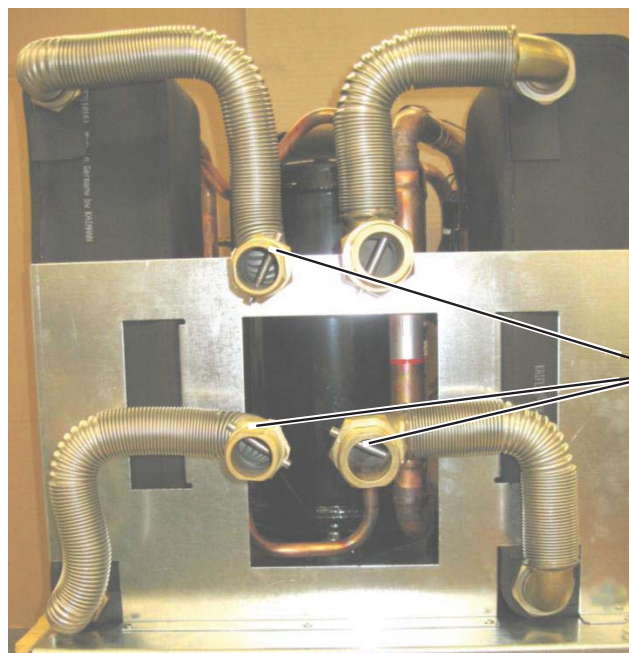
Note: The filter drier must always be exchanged when soldering work is carried out in the refrigerant circuit.



Images are intended for identifying the item in the spare parts list and may differ from the actual technical design.

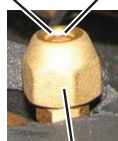


Images are intended for identifying the item in the spare parts list and may differ from the actual technical design.



40

16 15



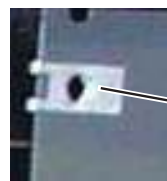
14



17



59



18

60



61



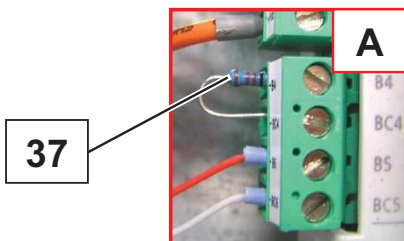
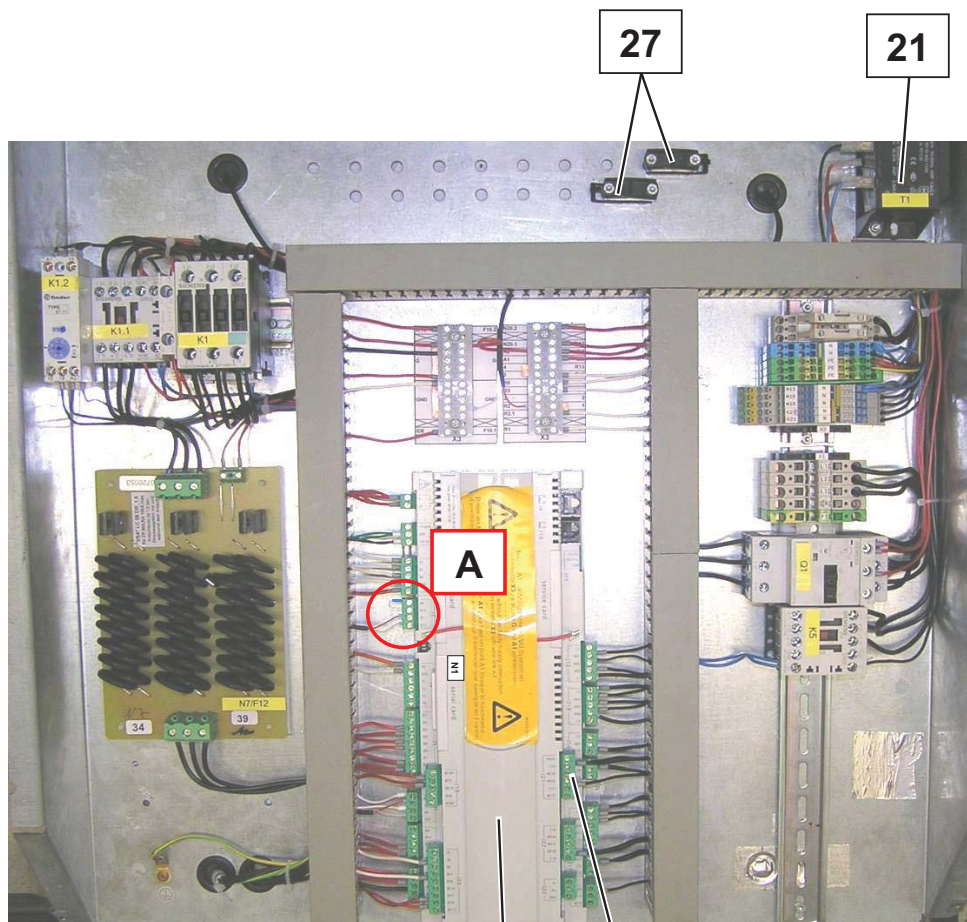
43

44



Images are intended for identifying the item in the spare parts list and may differ from the actual technical design.

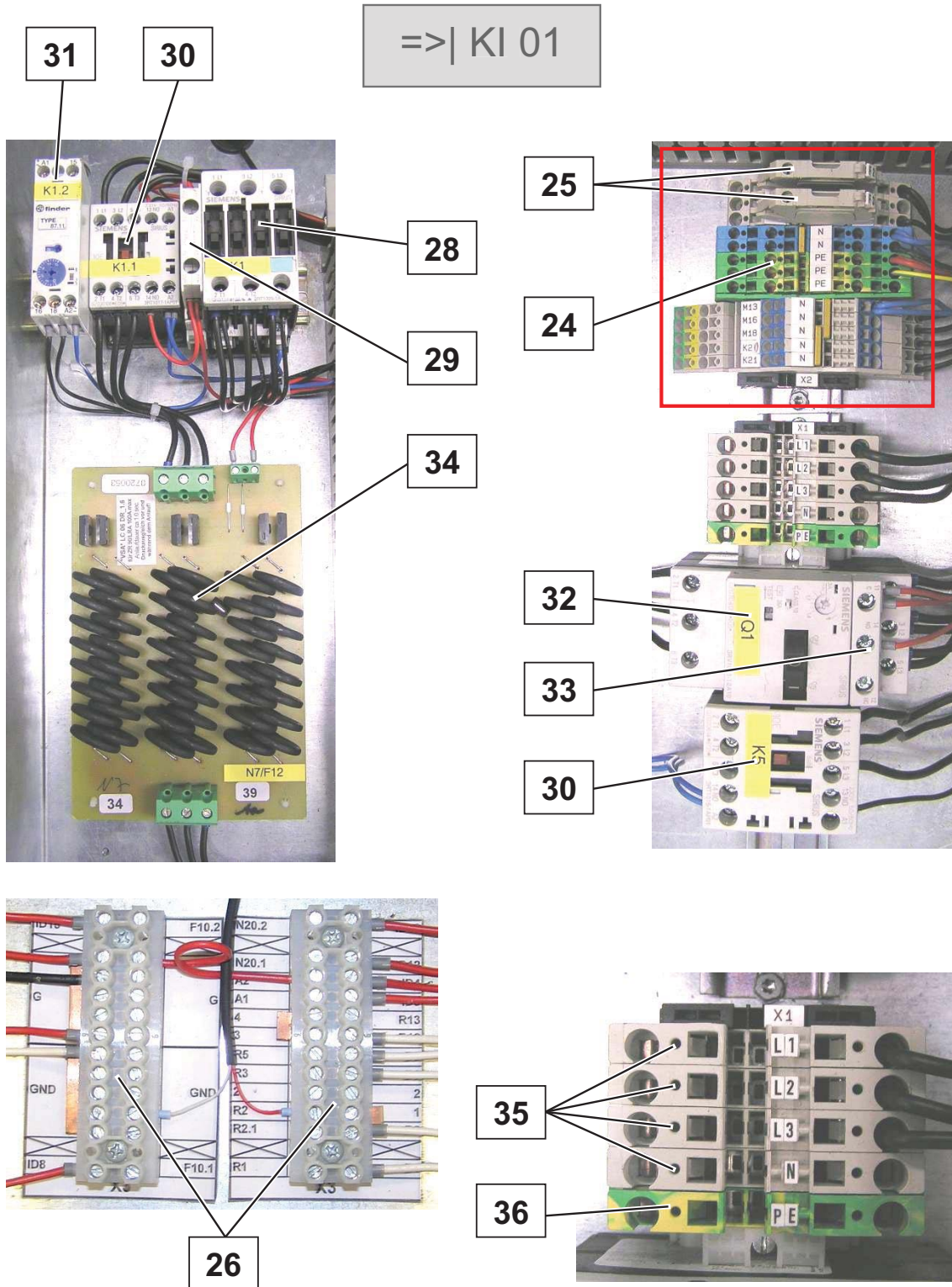
=>| KI 01



22

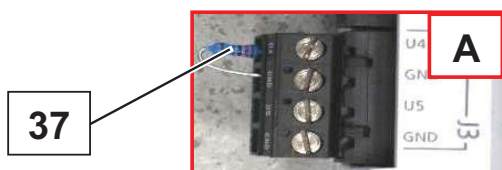
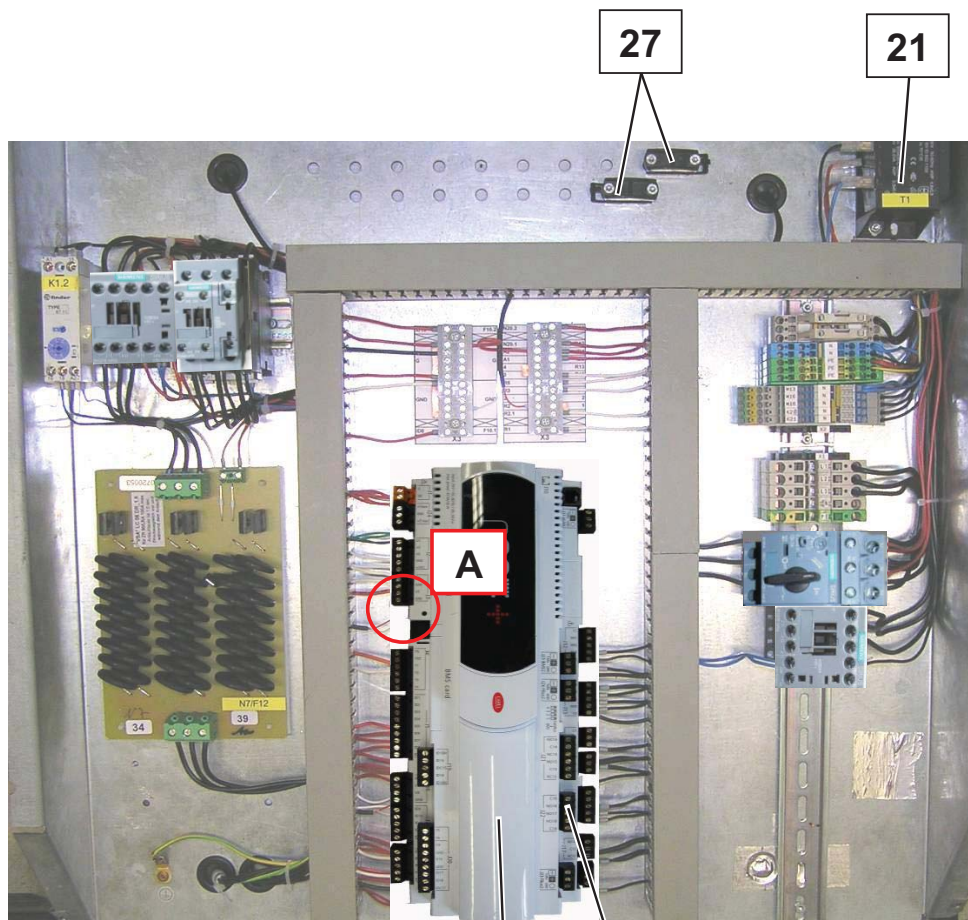
23

Images are intended for identifying the item in the spare parts list and may differ from the actual technical design.

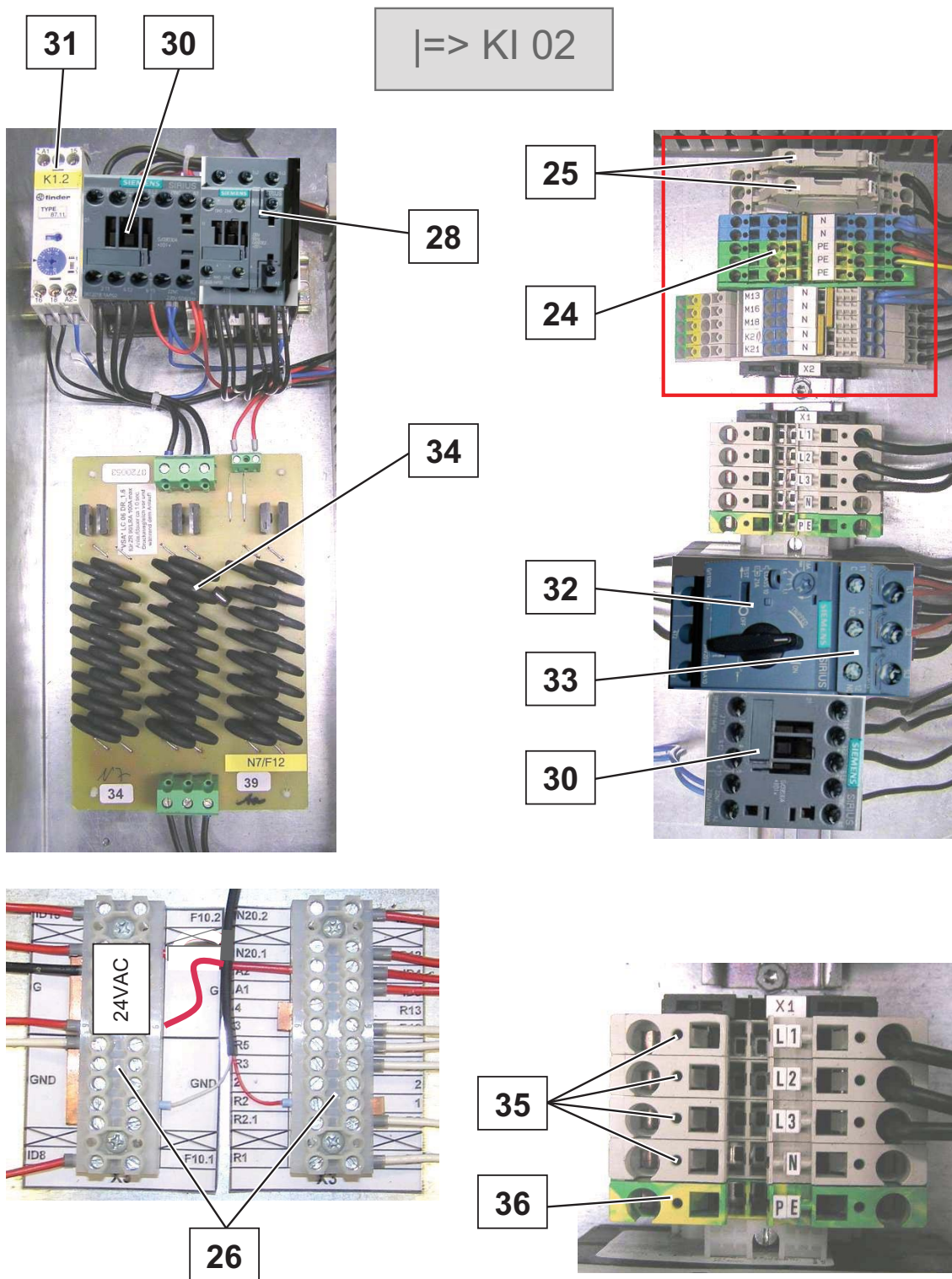


Images are intended for identifying the item in the spare parts list and may differ from the actual technical design.

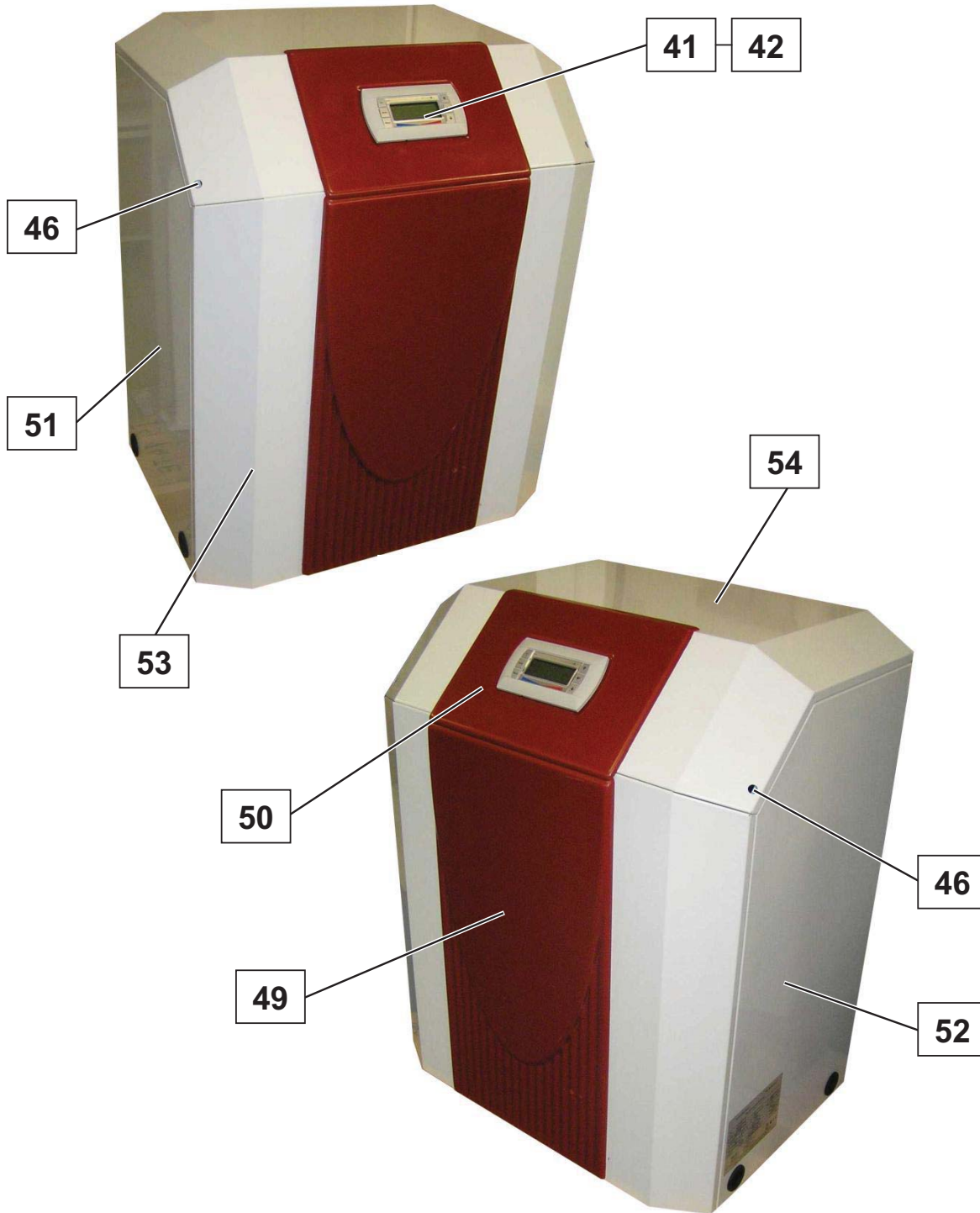
|=> KI 02



Images are intended for identifying the item in the spare parts list and may differ from the actual technical design.



Images are intended for identifying the item in the spare parts list and may differ from the actual technical design.



Images are intended for identifying the item in the spare parts list and may differ from the actual technical design.