

Spare parts list

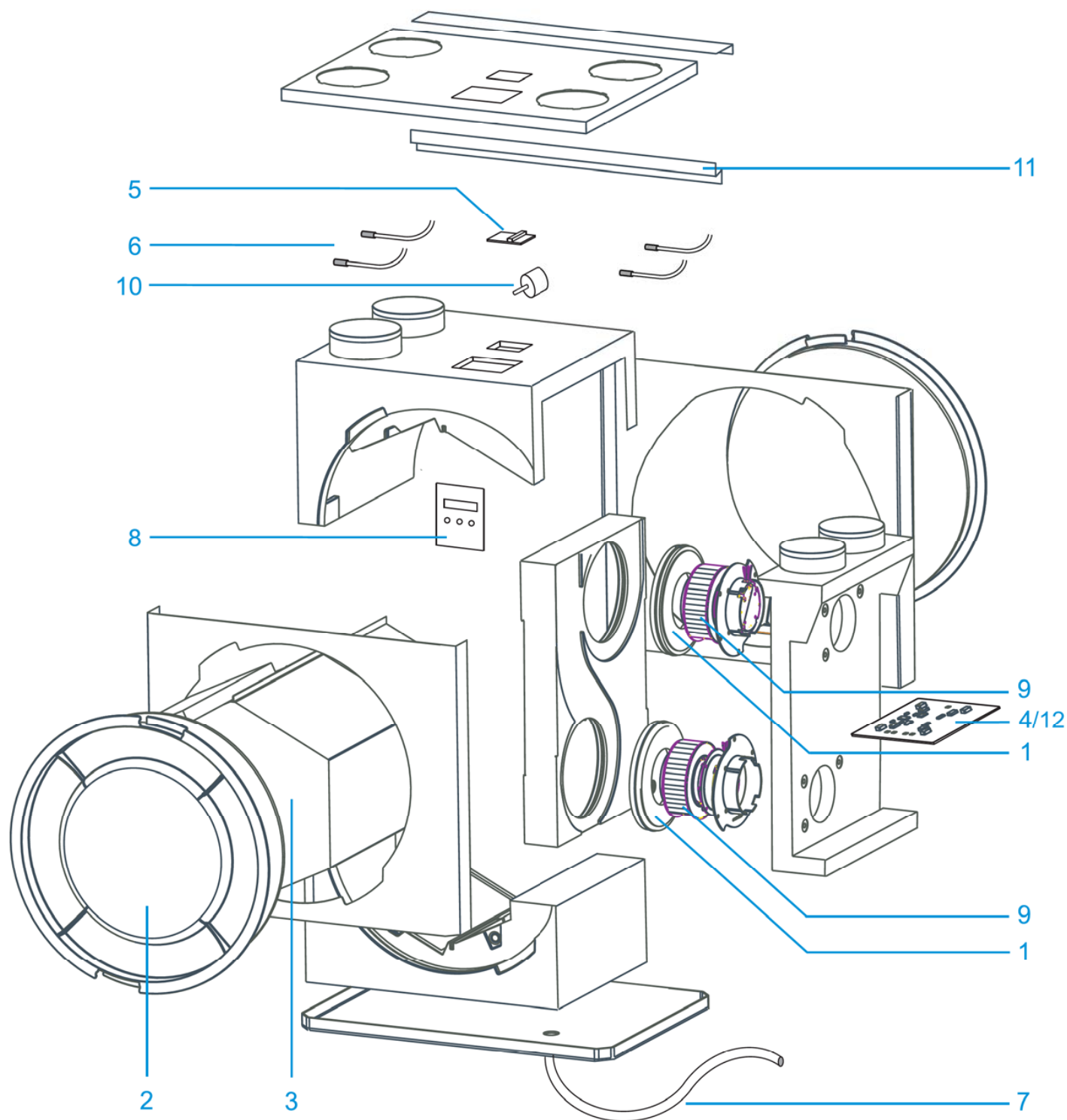
Brand: Dimplex

Type: ZL 300 VF

Part number: 364300

Position	Description	Part number	Serv. ind.
1	Inflow nozzle EPP	4580103027	
2	Inspection door grey	4580103034	
3	Heat exchanger with fixing accessories	4580103029	
4	Control electronics PCB1	4580103008	
5	Connection terminal PCB3	4580103011	
6	Temperature sensor	4580103031	
7	Condensate hose	4580103032	
8	Controller PCB (display) PCB2	4580103010	
9	Ventilator with motor	4580103025	
10	Motor for bypass flap	4580103030	
11	Wall mount	4580103033	
12	Real time clock PCB1A	4580103009	
13	Operating element panel	4580103037	
98*	Sensor PCB	4580103038	
99*	Modbus - adapter PCB	4580103012	
100*	G4 replacement filter (2 piece)	359190	
101*	G4 replacement filter (1 piece)	359200	
102*	M5 replacement filter (2 piece)	364480	
103*	M5 replacement filter (1 piece)	364490	
104	F7+M5 replacement filter (1 piece)	369670	
105	F7 replacement filter (1 piece)	369680	
106*	G3 replacement filter (1 piece)	366280	
107*	F7 replacement filter (1 piece)	360970	
108*	F5 replacement filter (2 piece)	337140	
109*	F7 replacement filter (2 piece)	337150	
110*	G4 replacement filter (3 piece)	364970	
111*	G4 replacement filter (3 piece)	364980	

* not visible in the picture documentation



Images are intended for identifying the item in the spare parts list and may differ from the actual technical design.